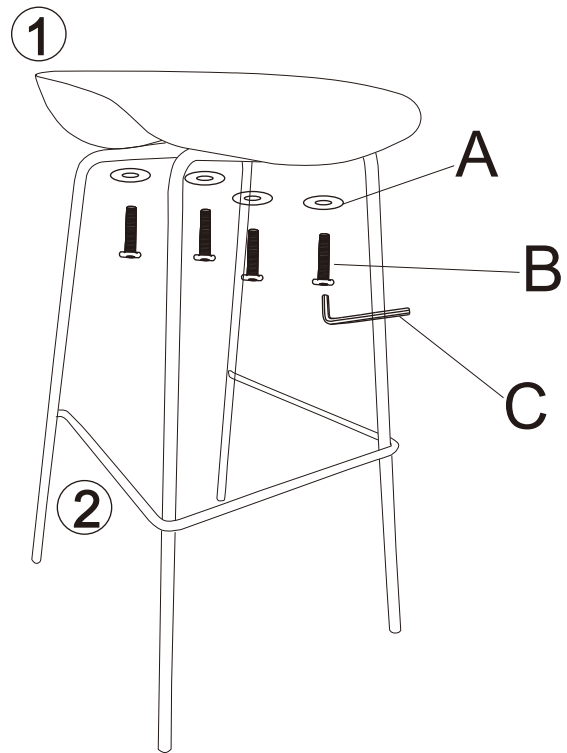
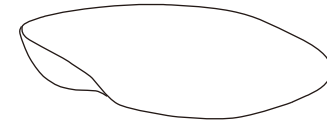


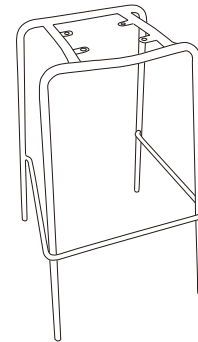
Assembly Instruction



1



2



A*4



6*18*1mm

B*4



M5

C*1