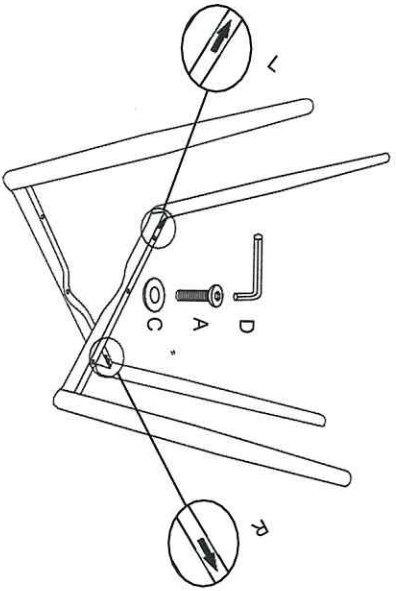


LIST OF ACCESSORIES / ACCESSORI

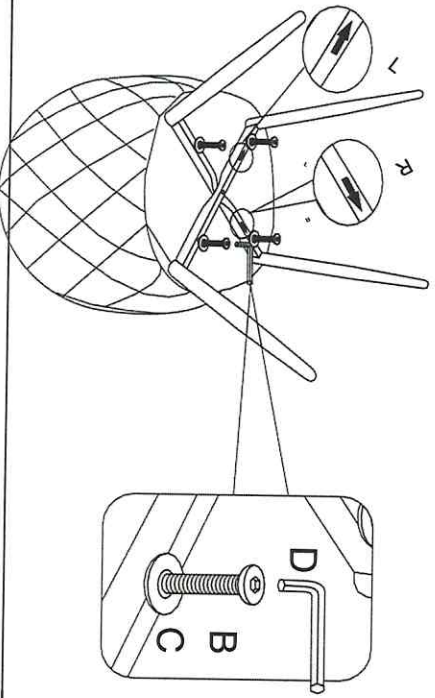
A	M6x30mm 1pc	C	ex:6x15mm 5pcs						
B	M6x5mm 4 pcs	D	1pc						

ASSEMBLING STEPS / MONTAGGIO

1



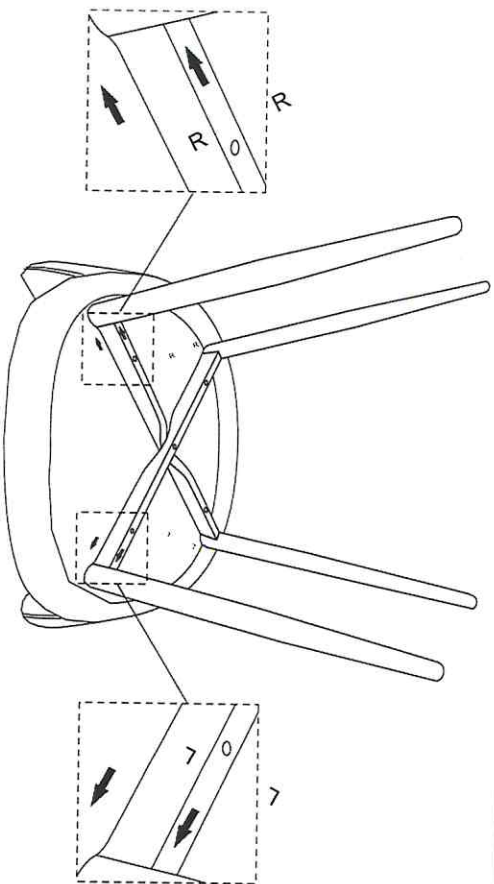
2



3

R = Right, Destra

L = Left, Sinistra



4

