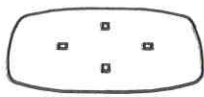


FEVER/180-FUME



A ×1pc



B ×2pcs



C ×1pc



D ×4pcs
M8*16mm



E ×8pcs
M8*12mm

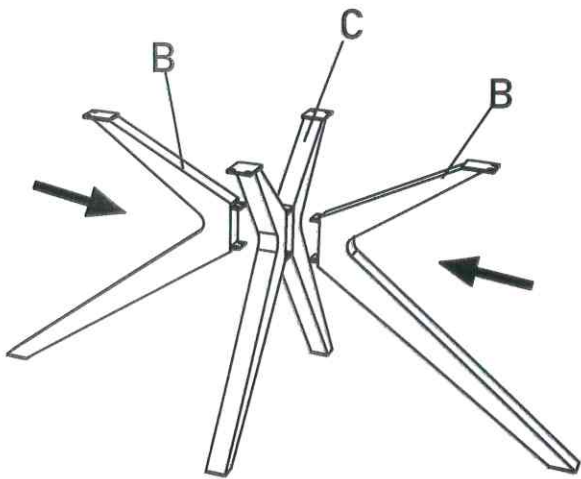


F ×1pcs
5#

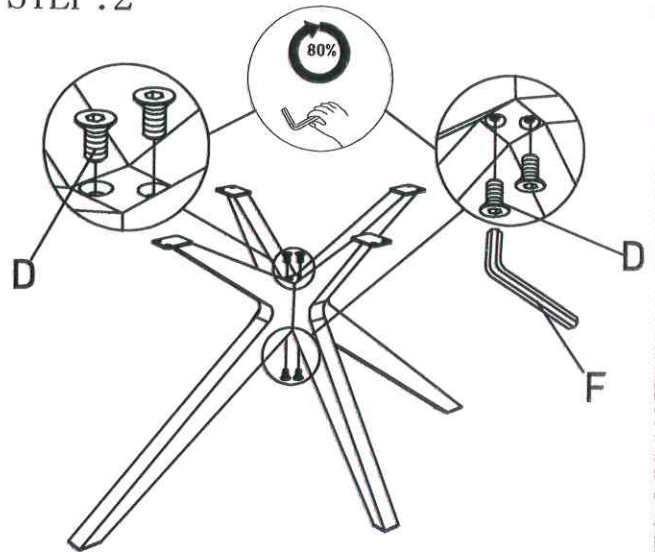


G ×1pcs
6#

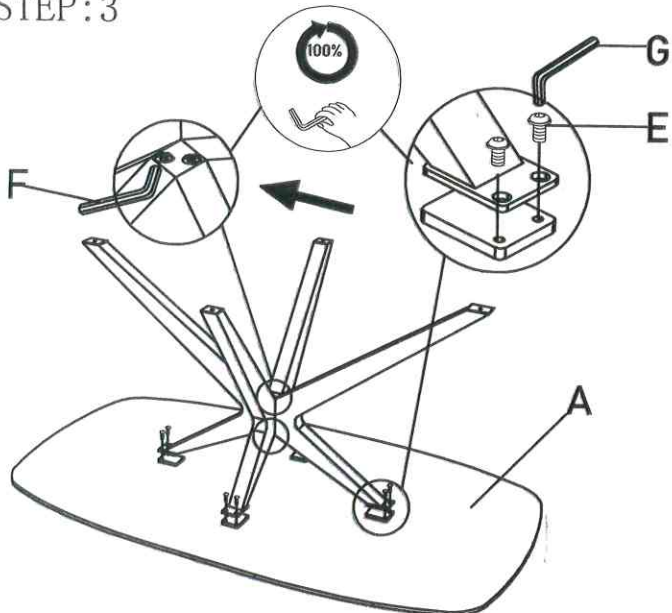
STEP:1



STEP:2



STEP:3



STEP:4

